

Sevenstar D07-23 Series

Analog Mass Flow Controllers and Meters
 Low Cost, Medium Flow, Viton sealed
 20 slm – 250 slm



FEATURES

- ▶ **CE Certified**
- ▶ **Cost Efficient**
- ▶ **Fast Response**
- ▶ **Wide Flow Range** 20 slm ... 250 slm
- ▶ **High Accuracy** ±2.0% FS



Designed for medium flow gas processes, the D07-23 mass flow controller / meter deliver high accuracy independent of pressure or temperature fluctuations. The D07-23 is ideal for semiconductor, solar, petrochemical and pharmaceutical applications and other industrial gas flow control applications that require cost-efficient solutions. It offers simple, convenient operation and flexible installation.

Performance

Accuracy	± 2.00% Fullscale
Linearity	± 0.50% ... 2.00% Fullscale
Repeatability	± 0.20% Fullscale
Response Time	2.0 Seconds
Maximum Pressure	2.80 Mpa
Differential Pressure	0.05 ... 0.30 MPa
Temperature Range	5 ... 45°C
Valve Configuration	NC
Leak Integrity	1x10 ⁻⁸ atm.cc/sec He

Electrical

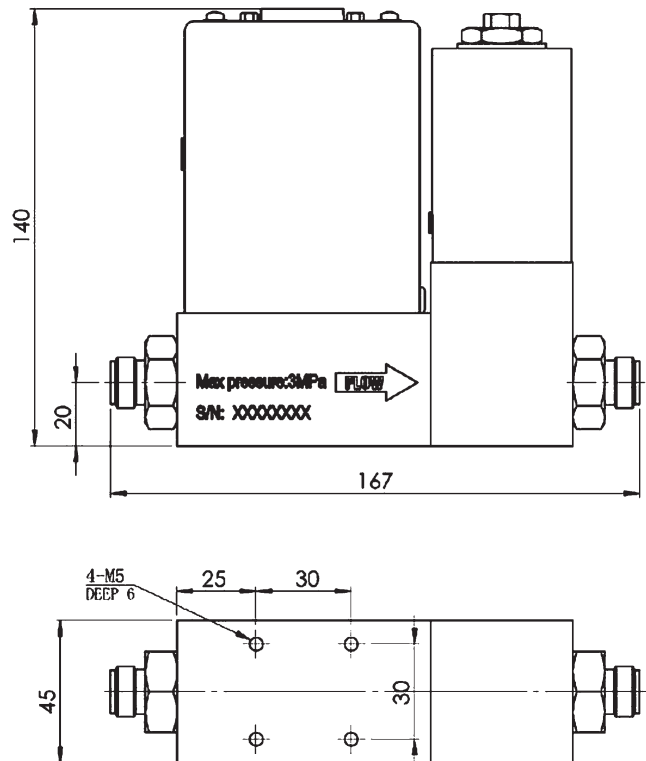
Connectors	SubD15
I/O Signal	0 ... 5 VDC
Power Supply	± 15VDC

Materials

Wetted Materials	Stainless Steel 316L, Viton®
Seal Material	Viton®, Silicone Rubber, NBR, Teflon®
Weight	2.60 kg

Overall Length

6mm, 8mm, 10mm LOK	167 mm
1/4", 3/8", 1/2" LOK	167 mm
1/2" VCR / VCO Male	182 mm



© ESL Elektronik GmbH is a ISO 9001 qualified supplier for semiconductor and other hitech equipment. Our calibrations are traceable to NIST and are performed in a class 100 cleanroom. Please contact our office for technical assistance.

ESL Elektronik GmbH • Lehnerstrasse 2 • 85630 Grasbrunn Germany • Tel.: +49-89-4207969-0 • Fax: +49-89-4207969-10
 Email: info@esl-elektronik.de • www.esl-elektronik.de