

VAPBOX 1500

> DLI* CVD & ALD Vaporizer

High Performance, Compact, Precise, Innovative liquid and solid precursors Delivery and Vaporization System for ALD, CVD, MOCVD, PECVD, MLD and all gas phase processes.

The **VAPBOX 1500** vaporizes pure liquid compounds and solid ones dissolved in a carrier liquid (organic solvent) up to 300°C.

The **VAPBOX 1500** is able to handle and vaporize most of solid and liquid compounds including low vapor pressure, thermally labile and viscous ones.

The **VAPBOX 1500** provides high and unmatched performances based on a pulsed injection of a mixture of liquid and carrier gas. That pulsed injection is performed by a proprietary Injection Head and allows a very fine atomization of the liquid to be vaporized. The liquid is flash vaporized and the generated vapors can be used for the synthesis by ALD and CVD of thin films, multilayers structures, nanoparticles and nano-objects of numerous complex functional materials such as for instance multi-metallic oxides (high-k dielectrics, magnetic and superconducting materials, ferroelectrics, piezoelectrics), various chalcogenides (PCRAM and CIS/CIGS photovoltaic materials) and transparent conductive oxides (TCO).

Because of its unique proprietary way to deliver and atomize the liquid inside the vaporizer the **VAPBOX 1500** is able to achieve a real non-contact flash vaporization therefore generating particle free vapors.

Indeed, the blasting of the carrier gas/liquid mixture inside the vaporizer allows generating an aerosol of droplets around 10 microns in diameter. Such very small droplets can be easily flash vaporized. Competitors' vaporizers are generating bigger liquid droplets that cannot be flash vaporized and clog the vaporizer.

The **VAPBOX 1500** operates from vacuum to atmospheric pressure.

Thanks to delivering of accurate and stable liquid flows, the **VAPBOX 1500** delivers accurate and stable vapor flows.

The **VAPBOX 1500** can inject and vaporize 2 liquids or solutions simultaneously or sequentially.

*DLI = Direct Liquid Injection



> Technical specifications

Injection Heads (liquid inlets)

- > 1 or 2

ICU (Injection Control Unit)

- > 24 VDC remote and rackable 19" 2U unit

Heating:

- > Three heating zones, up to 300°C, 1650 W
- > 3 K type thermocouples: (1 per heating zone)

Fittings:

- > 1/8" compression type fitting for liquid inlet(s) (1-2)
- > 1/4" female VCR fitting for carrier gas inlet(s) (1-2)
- > 1/2" male VCR fitting for vapor outlet

Versions:

- > 230 VAC version and 115 VAC version

Accessories:

- > 1 Liquid flow controlling kit per Injection Head, including a Liquid Flow Meter (LFM)
- > Liquid panel with 1 precursor tank per Injection Head and with an optional solvent tank
- > Carrier gas panel with 1 carrier gas Mass Flow Meter (MFM) per Injection Head
- > TCU (Temperature Control Unit): 19" remote and rackable 4U unit

Flows range (per Injection Head):

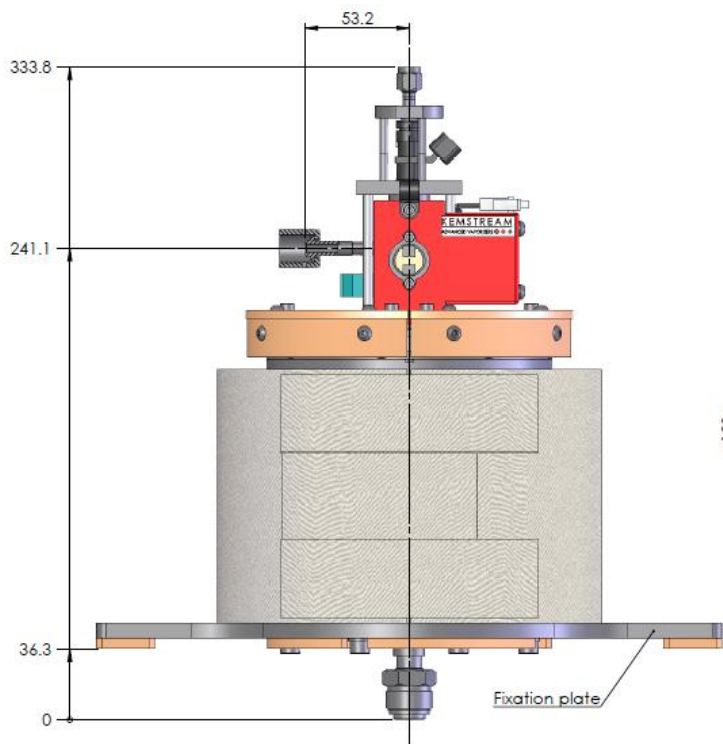
- > Typical carrier gas flow range = 150 to 7500 sccm
- > Typical liquid flow range = 0.1 to 15 g/min

US patent pending and patents pending in other countries

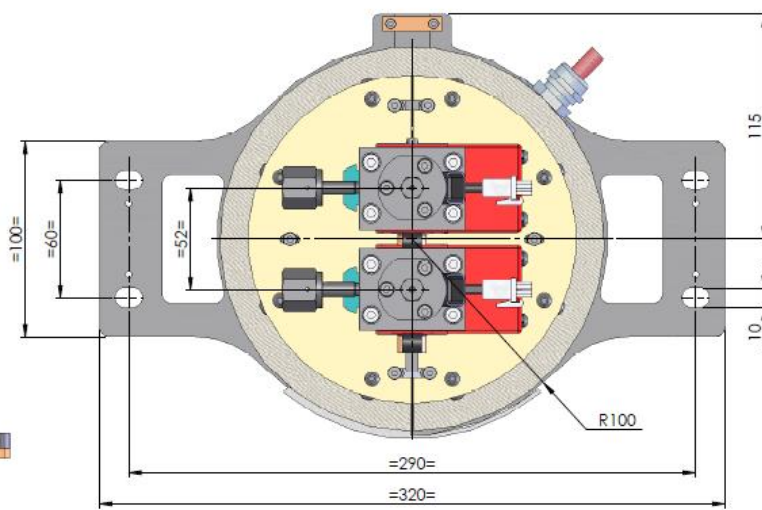
www.kemstream.com

KEMSTREAM
ADVANCED VAPORIZERS

> Dimensions



VAPBOX 1500 with 2 Injection Heads



All dimensions are in mm

> Ordering information

Injection Head

HB4 - S2V F4 H

Liquid inlet fitting

S2V	Swagelok 1/8" (standard)
	other fittings upon request

Carrier gas inlet fitting

F4	VCR 1/4" female (standard)
M4	VCR 1/4" male
S4	Swagelok 1/4"
T4	1/4" OD tube

Carrier gas inlet direction

H	Horizontal (standard)
V	Vertical

Vaporizer

V15 HBR2 M8 V

Voltage (for heating)

HBR2	230 VAC
LBR2	115 VAC

Vapor outlet fitting

M8	VCR 1/2" male (standard)
M4	VCR 1/4" male
K1	KF16
	other fittings upon request

Vaporizer pressure (process P)

V	from 0 to 1.5 bara
A	above 1.5 bara

For ordering information about the ICU (Injection Control Unit), please see the datasheet of the ICU